

## DESIGN AND CONSTRUCTION OF A VIBRATION DATA ACQUISITION SYSTEM FOR ROAD VEHICLES

ROLAND NAGY\*<sup>1</sup> AND ISTVÁN SZALAI<sup>1</sup>

<sup>1</sup>Institute of Mechatronics Engineering and Research, University of Pannonia, Gasparich Márk utca 18/A, Zalaegerszeg, 8900, HUNGARY

This article describes the design of a vibration data acquisition system which can be mounted on the undercarriage of a vehicle to acquire information about the quality of and defects in road surfaces. It is important to be able to deduce the condition of a road section from its data. For practical reasons, a microcontroller-based control unit was used and a separate power supply created. Bumps in the road were detected by a piezoelectric accelerometer. Once the system was completed, different measurements were made and the results analyzed. According to the results, it can be stated that the whole system worked well since they are identical to reality. The bumps in the road were clearly visible on the diagrams. It was concluded that the completed vibration data acquisition system is more than capable of detecting bumps in roads. The advantage of the system is that it can be easily mounted on any car which does not need to be driven at low speeds.

**Keywords:** road vehicle, vibration, data acquisition, microcontroller, accelerometer

### 1. Introduction

Road vehicles are continuously subjected to vibrations which have very important and serious consequences. These vibrations should be dampened as they have a detrimental effect on both mechanical properties and vehicle occupants. Vibrations can significantly reduce the lifetime of mechanical and electrical components. The effects of degradation are greatly increased if the frequency of the vibration is identical to that of a component. These resonances cause health issues for passengers in the car, e.g. back pain is a frequent complaint. Vibrational frequencies of between 4 and 8 Hz are the most dangerous for the human body [1].

Such vibrations can be caused by poor road surfaces and the engine of a car. The former reason is more significant, so this issue will be tackled. Due to the important role of vibrations that can occur in road vehicles, it is important to know the condition and characteristics of a road network.

In Hungary, the measurement of road quality is based almost exclusively on visual observations and manual data recording. Inspectors observe the roads and record any defects in a database. Even though hardly any automated survey equipment is used, these vehicles have the advantage of faster assessment and more objective evaluation. The purchase of one of these automated measurement systems could cost hundreds of millions of Hungar-

ian forints [2].

Our goal is to design and build a vibration data acquisition system that can be used on road vehicles. The system should easily be mountable on any vehicle and measurements recorded at any speed. The system should be simple, but the measurement results must contain information about the quality of the road section [3].

### 2. Experimental

#### 2.1 Tools of implementation

First, a design analysis was carried out and the structure of the system designed accordingly. A compact and light design is important, moreover, the housing should be sufficiently massive. Reliability and a constant sampling rate are also crucial. A block diagram of the system is shown in Fig. 1.

The system is based on an ATmega328P Microcontroller. The device is optimal for the control task as it supports several communication standards to connect the units to each other as well as possesses an inner A/D converter, PWM channels and several digital pins. The main microcontroller is responsible for managing communication between the individual units and handles the input data. A 16 MHz external oscillator IC is necessary to generate the clock signal and the supply voltage has to be stabilized at 5 V. As the microcontroller possesses a watchdog timer, a reset button is unnecessary. Along

\*Correspondence: [nagy.roland@mk.uni-pannon.hu](mailto:nagy.roland@mk.uni-pannon.hu)

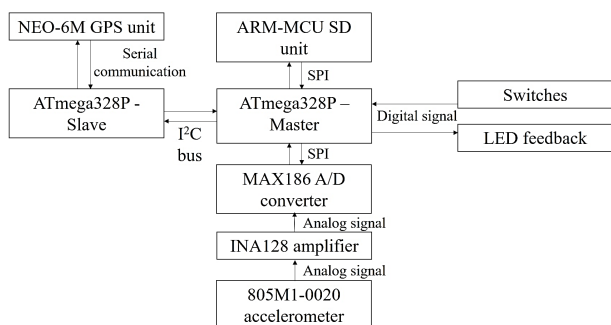


Figure 1: The structure of the system

with it, due to stable and robust operation, a pull-up resistor was placed in connection with the microcontroller's reset pin. In addition, an FTDI connector is placed near the microcontroller which enables it to be programmed in the programming language C++. The wiring diagram of the ATmega328P Microcontroller is shown in Fig. 2.

Vibrations caused by road defects were detected by a 805M1-0020 piezoelectric accelerometer. The sensitivity of the sensor is 100 mV/g with an offset voltage of 2.5 V. Previous studies suggest that accelerations of up to 2  $g$  are expected, and because the analog-to-digital converter has a measuring range of 0 – 5 V, a voltage gain of approximately 16 dB was necessary to ensure the analog signal fill the measuring range. For this purpose, an INA128P instrumentation amplifier was used, where the voltage gain was determined by the external resistor  $R_G$  between pins 1 and 8. The measuring amplifier amplified the potential difference between the two inputs. In this case, due to the 2.5 V offset voltage of the acceleration sensor, a voltage reference IC that provided 2.5 V was used. This voltage reference was connected to the

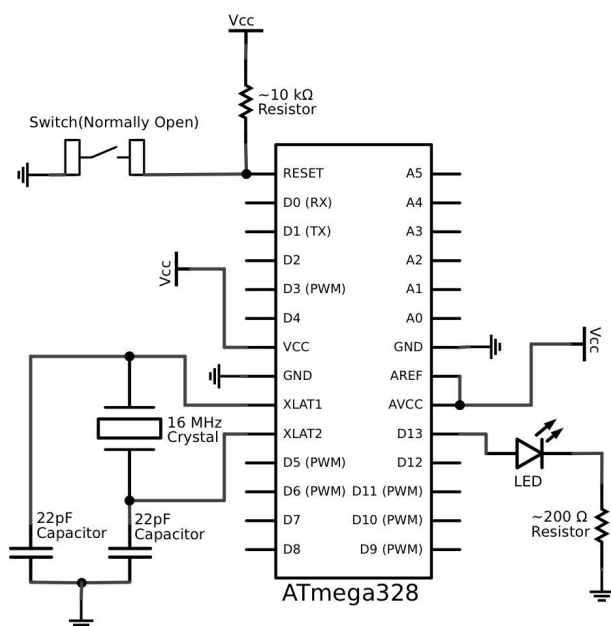


Figure 2: A wiring diagram of the ATmega328P Microcontroller

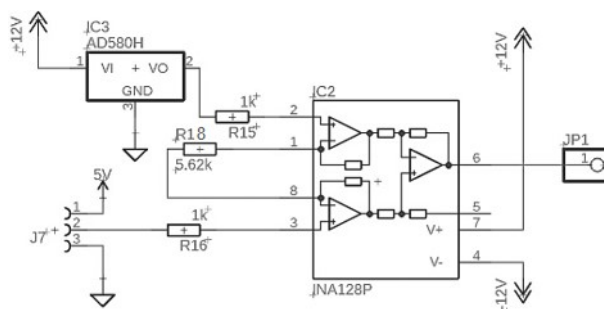


Figure 3: A wiring diagram of the amplifier section

inverter input of the amplifier, which caused the amplification to change linearly under different accelerations. An AD580 voltage reference IC was used. The output of the instrumentation amplifier is referred to as the output reference terminal. With 2.5 V connected to this pin, the offset voltage of the analog signal was in the middle of the measuring range. A wiring diagram of the amplifying section is shown in Fig. 3.

Following the amplifying section, the analog signal was digitized. Due to the increase in resolution, the voltage resolution was 5000/4096, therefore, a change in voltage of 1.22 mV was detected instead of the previous 5 mV. The MAX186 is a successive-approximation converter with 8-channel single-ended or 4-channel differential inputs. The single-ended input mode was used, so the input signal voltages are referred to as AGND. It should be noted that the device worked in unipolar mode, therefore, an analog input signal of between 0 V and VREF could be converted. VREF was 5 V in our application [4].

Firstly, in terms of programming the MAX186 process, the parameters were set with the first 8 input bits. These bits were expected to shift synchronously with the clock signal. Once set up, the bits of digitized signal could be read out. The read-out process consisted of a 12-times repetitive 'For cycle', which reads out the digitized value bit by bit. It can be seen that the microcontroller obtains the value of the most significant bit (MSB) first. All the input bits have to shift left and must connect to each other with a Logical OR connection to yield the original measurement of the accelerometer. Eventually, the conversion process ends with the A/D converter chip select pin level changing to logic HIGH. A wiring diagram of the MAX186 is shown in Fig. 4.

In addition to the accelerations, the GPS coordinates were also collected to help identify road humps and potholes that were detected by the accelerometer. For this task, a NEO-6M GPS module was used that provides momentary velocity and altitude data in addition to longitudinal and latitudinal coordinates. To control this GPS module, another ATmega Microcontroller was installed which was necessary as a debugging process associated with the GPS communication was present. Its purpose was to verify the adequacy of the data and the connection with the satellites. As a result, the running time and sampling rate of the program cycle became quite slow.





Figure 6: The completed data acquisition system

system to be turned on and the data acquisition process started. The complete system is shown in Fig. 6.

To check the output signal waveform in the relevant frequency bandwidth, a frequency response function of the amplifier unit was applied. The input signal was in the form of a sine wave within the frequency bandwidth of 10 Hz to 3 MHz with an amplitude of 40 mV. The data obtained is shown in Fig. 7. The natural frequency was approximately 700 kHz, so the frequency response function of the system performed well in the relevant frequency bandwidth.

Furthermore, amplification of the instrumentation amplifier was checked. The frequency of the input signal was 5 Hz with an amplitude of 400 mVpp and an offset voltage of 2.5 V. The amplification factor was set at 6.5 V/V. The data obtained is shown in Fig. 8. By plotting the data, the difference between the amplified and original signals can be seen. The waveform of the amplified signal was unchanged and by reading the amplitudes it can be seen that the voltage gain ( $G$ ) was preset to 6.5 V/V.

### 3. Results and Analysis

Following inspections, the sensor was placed in a car and fixed to the rear control arm to avoid the presence of any damping object between the wheel and sensor [5]. After

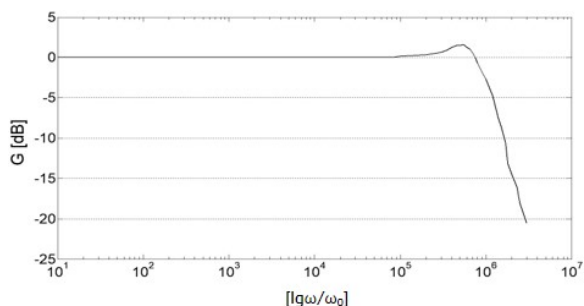


Figure 7: The frequency response function of the amplifier unit, where  $\omega_0 = 1$  Hz

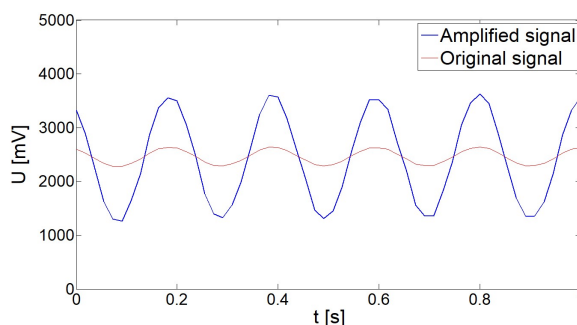


Figure 8: The amplified and original output signals at 5 Hz

installing the data acquisition system, several measurements were carried out by vehicle-to-record data on different road surfaces. The results of the measurements are as follows:

The first measurement was taken in the vicinity of Zalaegerszeg on a 5.5 km stretch of road. The data was saved on an SD card as a TXT file and plotted. The GPS coordinates helped to analyze the data, through which the exact location of each acceleration value was determined. The voltage gain was set at 16 dB (6.5 V/V) [6] and the data from the accelerometer was visible on the diagram without amplification. From the first route, whilst driving in a populated area at the beginning of the measurement period, it can be concluded that the quality of the road surface was generally good with only a few significant potholes and cracks. Later, while leaving the town, the poorer quality of the road became immediately obvious given the increase in amplitudes. The road surface consisted of flange grooves and creases. According to the diagram, road defects continued to increase since the highest accelerations occurred towards the end of the measurement period. The acceleration data from the first measurement period is shown in Fig. 9.

The conditions of the second set of measurements were the same as those of the first. The initial section of this measurement period was identical to that of the first set of measurements (Fig. 10). The quality of the road surface was initially quite good as only accelerations of 1  $g$  were recorded, but after leaving the populated area, the quality of the road surface also deteriorated. At the end of the route, several wearing courses, bonding layers and spotting errors were identified on the road surface.

The third stretch of road was 3 km long. Compared to the other measurements, the quality of the road surface here, which was covered in potholes, patches and surface sinks, was the worst. Consequently, in Fig. 11, almost all the accelerations reached the limit of 1  $g$ , moreover, for a moment, accelerations of 2  $g$  were also recorded. The right side of the diagram shows that when arriving in a populated area, the amplitudes reduced significantly as the quality of the road substantially improved. Only minor cracks were visible on the surface.

A small degree of asymmetry can be observed in the graphs, which is caused by the car's shock absorbers. As



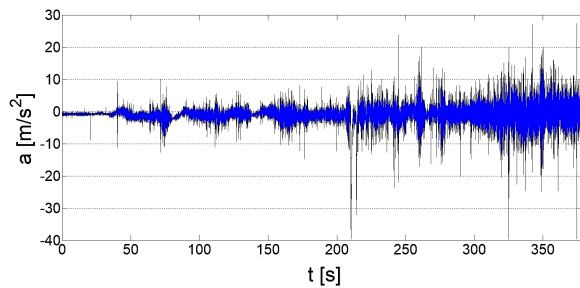


Figure 9: The acceleration of the first set of measurements plotted as a function of time

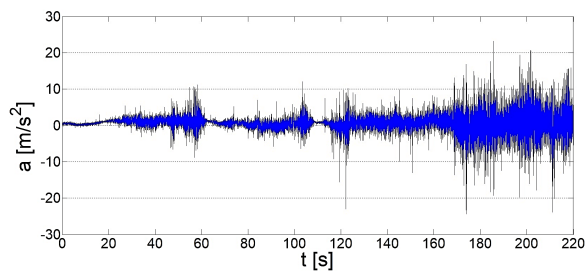


Figure 10: The acceleration of the second set of measurements plotted as a function of time

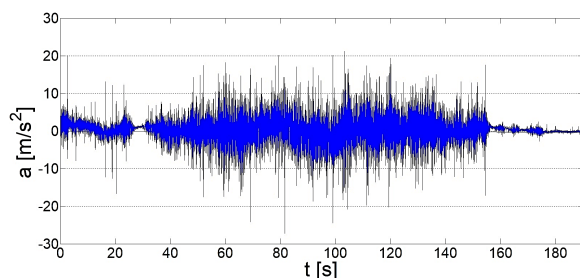


Figure 11: The acceleration of the third set of measurements plotted as a function of time

the damping force of the shock absorbers is less in the negative direction, higher accelerations might occur than in the positive direction. This is also supported by the characteristics of the shock absorbers.

#### 4. Conclusion

The aim of our research was to design, build and program a vibration data acquisition system suitable for measuring the quality of a motor vehicle. This task involved numerous requirements: the measuring system had to function

reliably, withstand the car's load and be easily installed, moreover, the data had to be produced and recorded as required.

In the light of the results, the system worked well; it detected road defects as expected. After measurements were taken, the data was illustrated in charts and the results were identical. The poorest road surface could be detected by the largest amplitudes and was identified according to the GPS coordinates when each measurement was made. The advantages of the system are that it can be easily mounted on any model of car and does not require driving at low speeds.

#### Acknowledgements

This research was supported by the European Union and co-financed by the European Social Fund under the project EFOP-3.6.2-16-2017-00002.

#### REFERENCES

- [1] Souissi, H.; Hamaoui, A.: Effect of Human Exposure to Whole-Body Vibration in Transport, *Neuroergonomics*, 2018, 229 DOI: [10.1016/b978-0-12-811926-6.00049-x](https://doi.org/10.1016/b978-0-12-811926-6.00049-x)
- [2] Szántó, M.: Közúti adatbázisok valós idejű frissítése közösségi megoldás alkalmazásával, *Ütügyi Lapok*, 2017, 5(1), 13-19 [http://utugyilapok.hu/wp-content/uploads/2017/06/ul\\_5\\_c2\\_SZM.pdf](http://utugyilapok.hu/wp-content/uploads/2017/06/ul_5_c2_SZM.pdf)
- [3] Brown, J. C.; Robertson, A. J.; Serpento, S. T.: *Motor Vehicle Structures* (Butterworth-Heinemann) 2001, 4–84 ISBN: 978-0-7506-5134-9
- [4] William, B.: *Programmable Logic Controllers*, (Elsevier Books) 2015 ISBN 01-28-0-2929-3
- [5] Bidgoli, M. A.; Golroo, A.; Nadjar, H. S.; Rashidabad, A. G.; Ganji, M. R.: Road roughness measurement using a cost-effective sensor-based monitoring system, *Automat. Constr.*, 2019, 104, 140–152 DOI: [10.1016/j.autcon.2019.04.007](https://doi.org/10.1016/j.autcon.2019.04.007)
- [6] Kennedy, J.; Oakley, C.; Sumon, S.; Parry, I.; Wilkinson, E.; Brown, J.: Impact of road humps on vehicles and their occupants, *TRL Report*, 2004, 614, 3–16 <https://trl.co.uk/sites/default/files/TRL614%281%29.pdf>